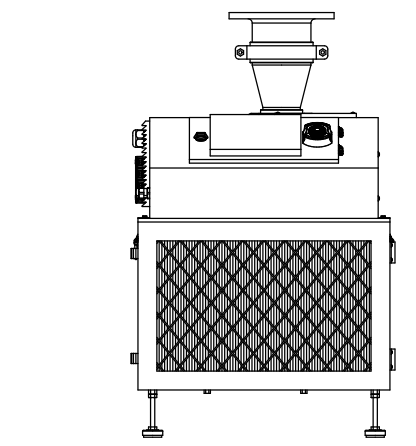
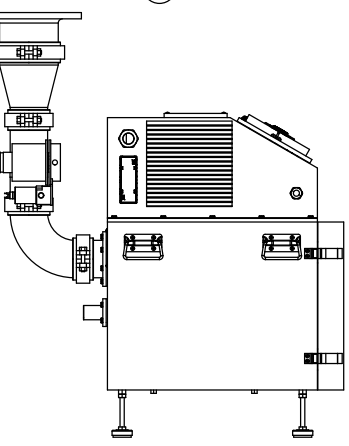
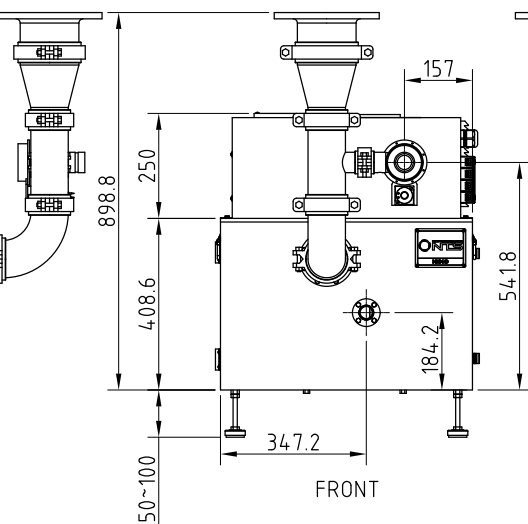
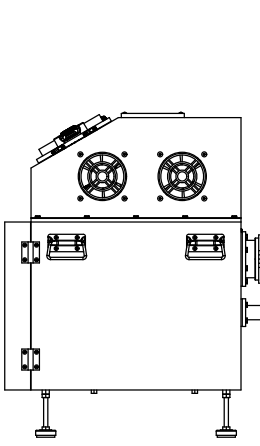
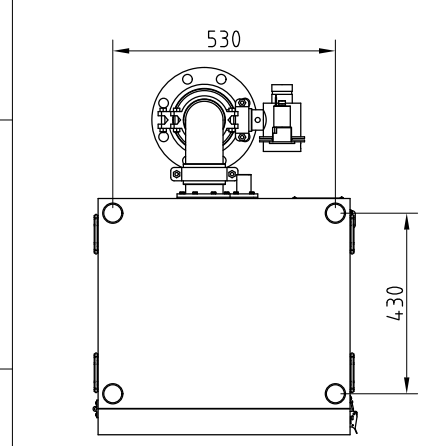
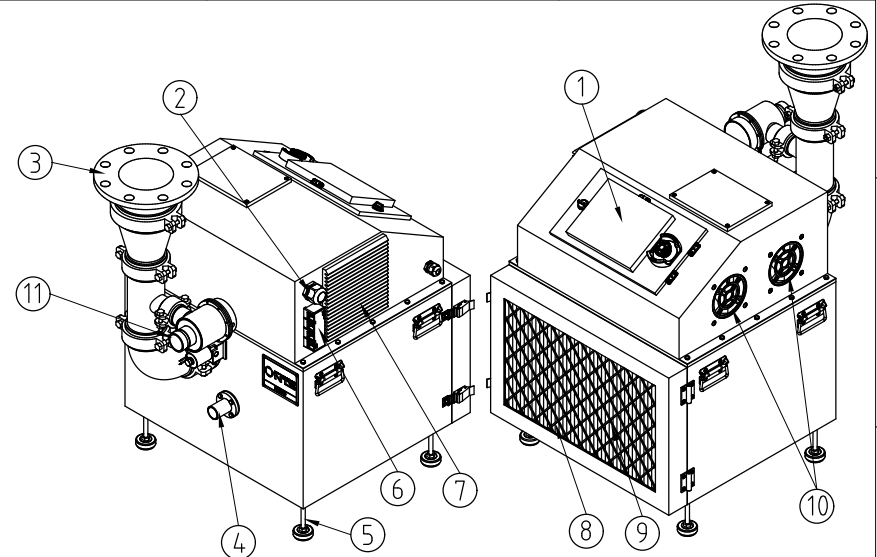
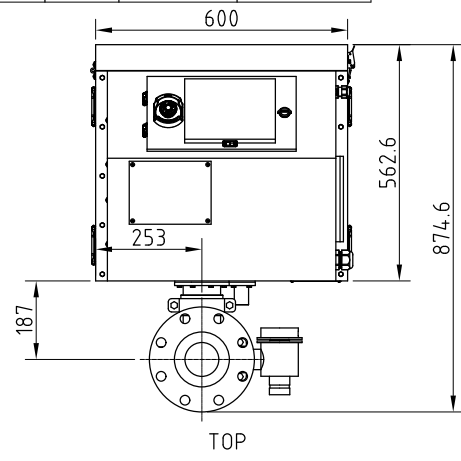


|   |  |   |  |   |  |   |  |   |  |   |  |
|---|--|---|--|---|--|---|--|---|--|---|--|
| A |  | B |  | C |  | D |  | E |  | F |  |
|---|--|---|--|---|--|---|--|---|--|---|--|

| REV | DESCRIPTION | DATE | PREPARED | APPROVED |
|-----|-------------|------|----------|----------|
| 1   |             |      |          |          |
| 2   |             |      |          |          |

| No. | Part Name             | Standard       |
|-----|-----------------------|----------------|
| ①   | Touch Screen          | 7 Inch         |
| ②   | Cable Grand           | PG29           |
| ③   | Main Discharge Flange | KS 10K 125A FF |
| ④   | Cooling Pipe          | KS 25A         |
| ⑤   | Leveling Foot         | M10 100L       |
| ⑥   | Terminal Block        | 60A 4P         |
| ⑦   | Cooling Air Filter    | KFC-200S       |
| ⑧   | Medium Filter         | 530×330×50T AL |
| ⑨   | Prefilter             | 530×330×5T     |
| ⑩   | Cooling Fan           | 120×120×38     |
| ⑪   | Vent Discharge pipe   | KS 40A         |



|   |  |   |  |   |  |   |  |   |  |   |  |
|---|--|---|--|---|--|---|--|---|--|---|--|
| A |  | B |  | C |  | D |  | E |  | F |  |
|---|--|---|--|---|--|---|--|---|--|---|--|

| Model          | KW(HP) | Rated. Flow [CMM] | Rated. Pressure [mmAq] | Input Voltage       | Weight [kg] |
|----------------|--------|-------------------|------------------------|---------------------|-------------|
| NTS-A-013-5000 | 13(17) | 10.5              | 5000                   | 380V(3φ)<br>50/60hz | 110         |
| NTS-A-022-5000 | 22(30) | 19                | 5000                   | 380V(3φ)<br>50/60hz | 115         |

|                      |           |               |                     |                  |
|----------------------|-----------|---------------|---------------------|------------------|
| 단 위                  | mm        | 도면명칭          | NTS-C BLOWER LAYOUT |                  |
| 척 도 (SCALE)          |           | TITLE         |                     |                  |
| 1                    | 1         | 설 계           | MODEL명              | NTS-A-Ver02      |
| 삼 각 법                | 22/04/05  | DESIGNED      | 도면번호                | 60170-A-V2-10001 |
| 3RD ANGLE PROJECTION | S.K. SUNG | DWG. NO.      | 매 수 SHEET           | 1/1              |
| 양식 SIZE              | A0        | 관련도면 REF. NO. | Nex-D               | 넥스디 (주)          |
|                      |           | www.nex-d.com |                     |                  |

|   |  |   |  |   |  |   |  |   |  |   |  |
|---|--|---|--|---|--|---|--|---|--|---|--|
| A |  | B |  | C |  | D |  | E |  | F |  |
|---|--|---|--|---|--|---|--|---|--|---|--|