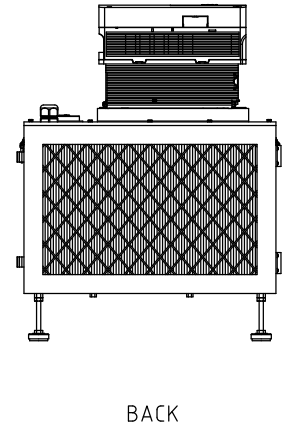
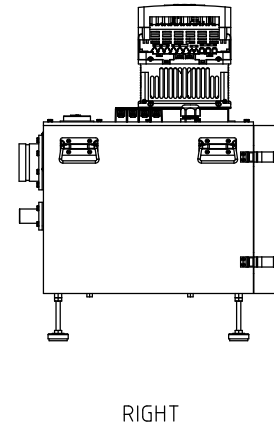
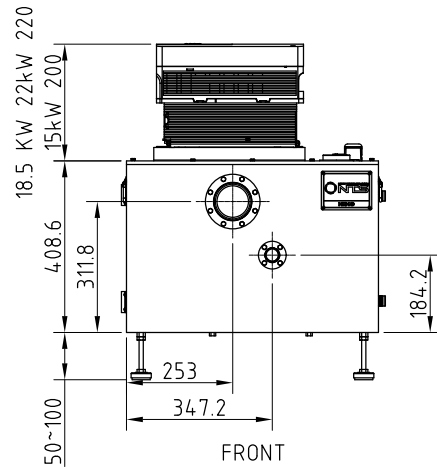
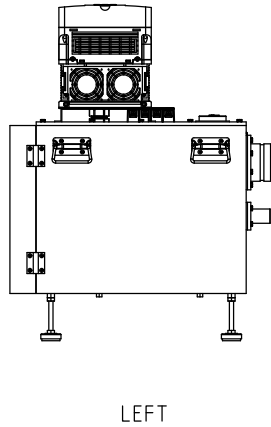
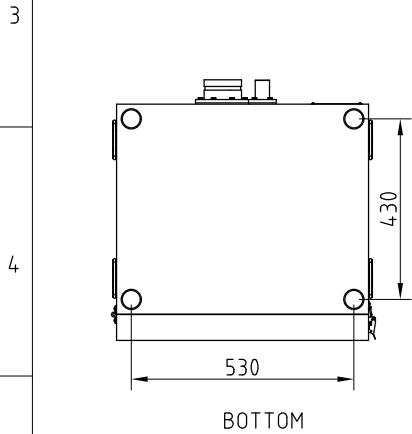
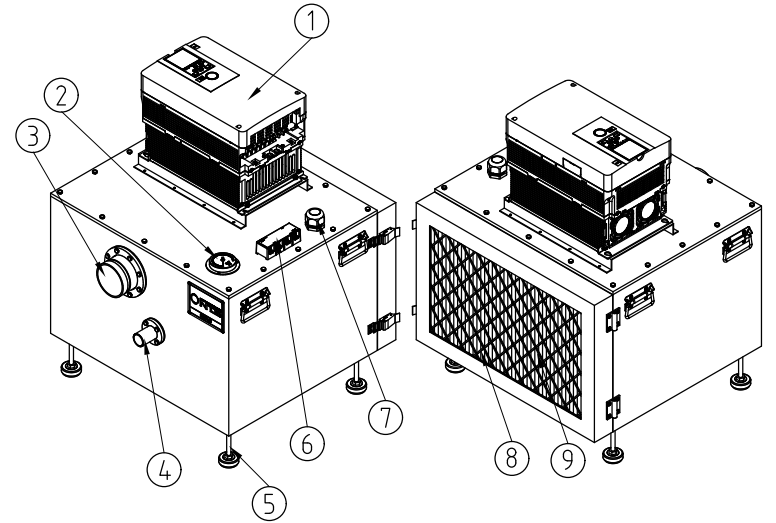
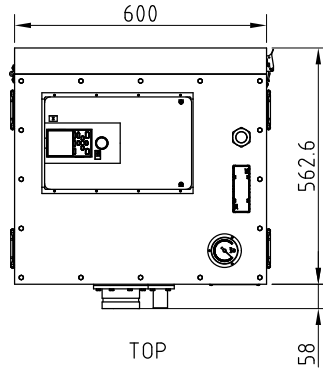


REV	DESCRIPTION	DATE	PREPARED	APPROVED
1				

No.	Part Name	Standard
①	Inverter	15kW/22kW
②	Press Gauge	Φ60 1bar
③	Main Discharge Pipe	KS 80A
④	Cooling Pipe	KS 25A
⑤	Leveling Foot	M10 100L
⑥	Terminal Block	60A 4P
⑦	Cable Grand	PG29
⑧	Medium Filter	530×330×50T AL
⑨	Prefilter	530×330×5T



Model	KW(HP)	Rated. Flow [CMM]	Rated. Pressure [mmAq]	Max. Flow [CMM]	Max. Pressure [mmAq]	Input Voltage	Weight [kg]
NTS-012-3000	12(16)	15	3000	21	3500	380V(3Φ) 50/60hz	70
NTS-017-4000	17(22)	17	4000	23	4600	380V(3Φ) 50/60hz	73
NTS-022-5000	22(30)	19	5000	25	5600	380V(3Φ) 50/60hz	75

단 위	mm	도면명칭	NTS BLOWER LAYOUT	
척 도 (SCALE)	1/1	TITLE	NTS-Ver02	
삼 각 법	DESIGNED	MODEL명	NTS-Ver02	
3RD ANGLE PROJECTION	22/04/05	도면번호	60170-V2-10001	
양식	A0	S.K. SUNG	DWG. NO.	1/1
SIZE	관련도번	Nex-D	넥스디 (주)	
	REF. NO.	www.nex-d.com		